



Phone No: 0824-2407337  
Website: <https://no1mangalore.kvs.ac.in/>  
E-Mail: [kv1mangaluru@gmail.com](mailto:kv1mangaluru@gmail.com)  
[principalkvno1\\_mng@rediffmail.com](mailto:principalkvno1_mng@rediffmail.com)

ಕೇಂದ್ರೀಯ ವಿದ್ಯಾಲಯ ನಂ.೧. ಪನಂಬೂರು ಮಂಗಳೂರು, - ೫೭೫ ೦೧೦

केन्द्रीय विद्यालय सं . १. पनंबूर मंगलुर , - ५७५ ०१०

KENDRIYA VIDYALAYA NO.1 PANAMBUR MANGALURU-10

Ref.No: F.13- 350/KVM/2021-22/

Date:05.03.2022

### Quotation for Duel Desk Regarding

1. Sealed quotations for the supply of the articles shown in the **attached design with specification** are invited by the undersigned on behalf of the K.V No.1, Panambur, Mangaluru **05.03.2022 to 21.03.2022 up to 2:00 pm.** Quotations should be sent under strong cover marked as 'Quotation for the Duel Desk' and not by name. The quotations will be opened in the office of the undersigned at **2.15 p.m. on 21<sup>st</sup> March 2022.**
2. The quotations shall be submitted according to the terms and conditions specified in paragraphs 3 to 15. Unless specified otherwise in the quotation, it shall be construed that the terms and conditions stipulated hereunder have been agreed to.
3. The rates should be F.O.R. and should include excise duty, sales tax, freight charges, any other taxes, rates or imposition whatever liable in respect of the supplies. The Kendriya Vidyalaya shall not be liable to pay any tax, freight etc. which has not been expressly stipulated in the quotation in the event of acceptance of the quotation.
4. There should not be any over writings or corrections in the quotation. If a figure is to be amended, it should be neatly scored out, the revised figure written above and the same attested with full signature and date. In the absence of the attested signature the quotation is liable to be rejected.
5. The undersigned does not bind himself to accept the lowest quotation and reserves the right to accept the quotation in whole or in part, i.e. with respect to all the articles mentioned in the attached statement or in respect of anyone or more than on article specified in the attached statement as he may decide.

6. On acceptance of the quotation it will become a contract and the contractor shall be bound by the terms and conditions of the quotation.

7. The person/persons whose quotation is accepted, hereinafter called the contractor, shall deposit an earnest money of Rs.....Nil..... along with the quotation which shall be refunded in the event of rejection of the quotation. The earnest money will be forfeited in the event of failure to comply with the contract. In the event of the quotation, the earnest money will be adjusted towards Security Deposit which shall be payable at the rate mentioned below:

Security Deposit at Nil %

If the contractor is not agreeable to pay Security Deposit the reasons therefore should be specified and the undersigned reserves the right to accept or reject the request.

8. If the contractor fails to supply the articles within the time stipulated in the letter of acceptance by the undersigned, the undersigned shall be at liberty to purchase the articles from the market or get the rest of the contract completed by any other person or firm and the difference of price, if any, shall be deducted from the earnest money/security deposit and in case any amount in excess of the security deposit is paid by the undersigned the contractor shall be liable to pay this amount.

9. The quantity of articles indicated in the attached statement may be increased or decreased at the discretion of the undersigned without assigning any reason.

10. Prior to acceptance of the quotation, the undersigned reserves the right to call for samples or demonstration and the contractor shall be liable to supply the samples or give the demonstration free of cost.

11. In the event of acceptance of the quotation and placing of the order for purchase, the articles ordered for would be subjected to an inspection by the undersigned or his representative and are liable to be rejected if the articles supplied are not according to approved samples or do not conform to the specifications prescribed.

12. The rates quoted by the contractor shall hold good up to 31/03/2022 No amendment in the rate except increase in the rate of Sales Tax during the period of execution of the contract, will be accepted.

Station: Mangaluru

Date: 05.03.2022

Principal,  
Kendriya Vidyalaya No.1  
Panambur

ಪಾನ್‌ಬುರ್ ಪ್ರಾಚಾರ್ಯ Principal  
ಕೇಂದ್ರೀಯ ವಿದ್ಯಾಲಯ ನಂ. I ಕೇಂದ್ರೀಯ ವಿದ್ಯಾಲಯ ನಂ. I  
Kendriya Vidyalaya No. I

ಅಂಚೆ: ಪಾನ್‌ಬುರ್, ಮಂಗಳೂರು ಪಾನ್‌ಬುರ್ ಪೋಸ್ಟ್, ಮಂಗಳೂರು  
Panambur Post, Mangaluru - 575 010



Phone No: 0824-2407337  
Website: <https://no1mangalore.kvs.ac.in/>  
E-Mail: [kv1mangaluru@gmail.com](mailto:kv1mangaluru@gmail.com)  
[principalkvno1\\_mng@rediffmail.com](mailto:principalkvno1_mng@rediffmail.com)

ಕೇಂದ್ರೀಯ ವಿದ್ಯಾಲಯ ನಂ.೧. ಪಣಂಬೂರು ಮಂಗಳೂರು, - ೫೭೫ ೦೧೦

केन्द्रीय विद्यालय सं. १. पनंबूर मंगलूर, - ५७५ ०१०

KENDRIYA VIDYALAYA NO.1 PANAMBUR MANGALURU-10

Ref.No: F.13- 350/KVM/2021-22/

Date: 05.03.2022

**Specification of Duel Desk**

Sl.No	Descriptions	Qty	Rate	GST	Total
1	1. Frame: 1" Round Pipe 16 gauge painted 2. Top bench & back rest: Modular Plastic Board 2 side laminated, 18 mm 3. Desk: Perforated Sheet 18 Gauge. Measurement as mentioned in the design attached.	01			
	<b>GRAND TOTAL</b>				

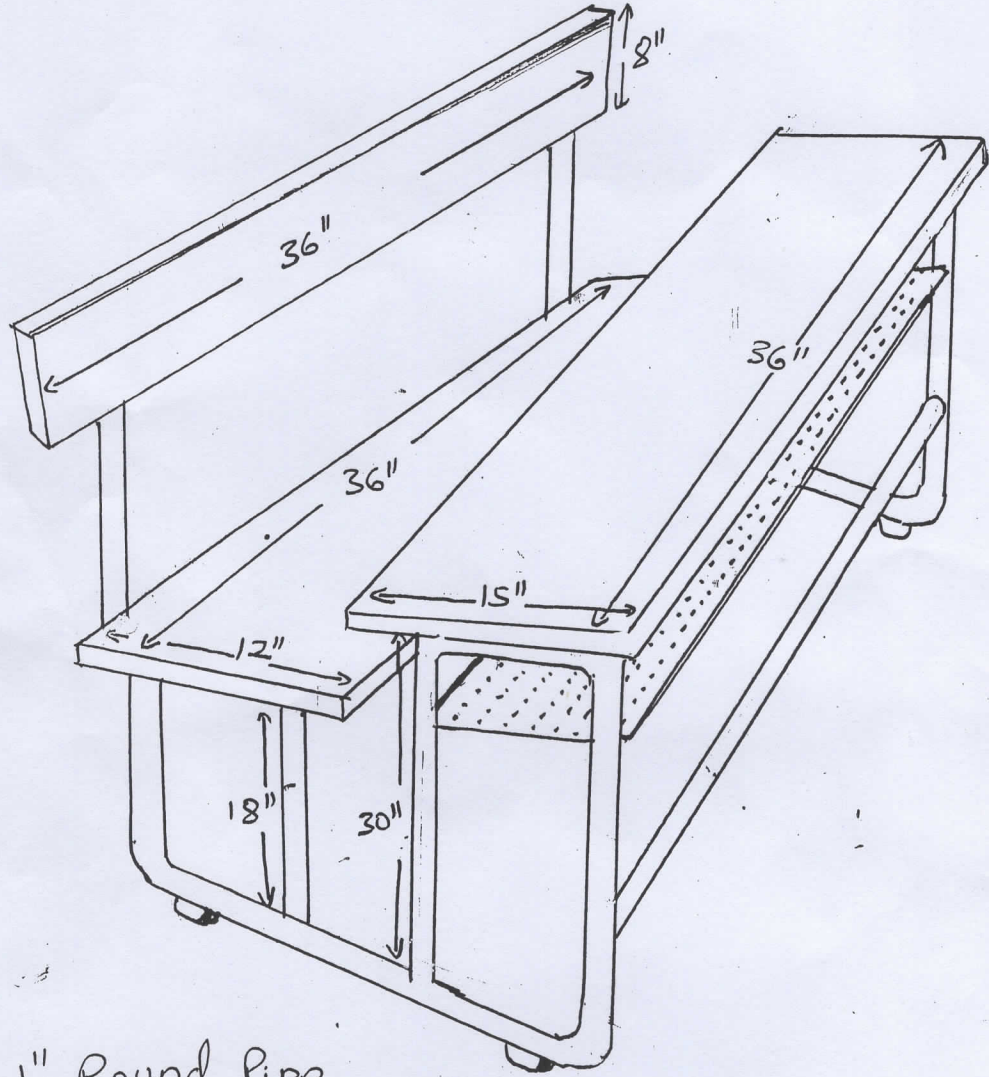
Principal,  
Kendriya Vidyalaya No.1  
Panambur  
Mangaluru.

ಪ್ರಾಂಶುಪಾಲರು ಪ್ರಾಚಾರ್ಯ Principal  
ಕೇಂದ್ರೀಯ ವಿದ್ಯಾಲಯ ನಂ. I ಕೇಂದ್ರೀಯ ವಿद्यालय सं. I  
Kendriya Vidyalaya No. I

ಅಂಚೆ: ಪಣಂಬೂರು, ಮಂಗಳೂರು ಪನಂಬೂರು ಪೋಸ್ಟ್, ಮಂಗಳೂರು  
Panambur Post, Mangaluru - 575 010

Design:

DUEL DESK



1, Frame: 1" Round Pipe  
16 guage, Painted

2, Top, Bench } Modular Particle Board 2 side laminated, 18 mm  
Back Rest }

3, Desk: Perforated sheet 18 guage.

ಪ್ರಾಚಾರ್ಯ ಪ್ರಾಚಾರ್ಯ Principal  
ಕೇಂದ್ರೀಯ ವಿದ್ಯಾಲಯ ಸಂ. I ಕೇಂದ್ರೀಯ ವಿಧಾಲಯ ನಂ. I  
Kendriya Vidyalaya No. I  
ಆಂಧ್ರ ಪ್ರದೇಶ ಸರ್ಕಾರ, ಮಂಗಳೂರು ಪಂಚಾಯತ್, ಮಂಗಳೂರು  
Panambur Post, Mangaluru - 576 010